

Specification Sheet

838.050.050 S OBLIQUE BRANCH 45°

-Pipe diameter: Ø50mm. Branch diameter: Ø50mm
-Stainless steel: AISI316L/EN1.4404

Product Codes

EAN: 5705499402360
VVS Number: 160224350
RSK Number: 1550309
NRF Number: 2170783
LVI Number: 0251153

Specification

Angle (°): 45
Length (mm): 133
Material: AISI 316L
Material (EN): EN 1.4404
Outlet Diameter (mm): 50
Type: Branches
Weight (kg): 0,32

Approvals



NO - 0692-16



SE - SITAC 4423/90-17



FR - DTA 14.1/12-1811*V2 EuroPipe



AUS - WMKT00204 - 18B



DK - VA 2.12/19349-19



DE - LGA Certificate 57214035 a

MARINE - R4547 NATO CODIFICATION SYSTEM

Bureau Veritas, 02375-H0

Lloyds Register 92-00041 (E7)

RU - 0212322 Pipes-18

ABS - 18-LD1716353-PDA

DNVGL - TAP0000023-rev2

PL - Hygienic Certificate - All products

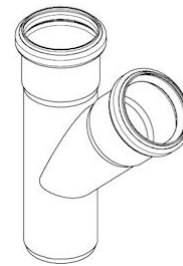
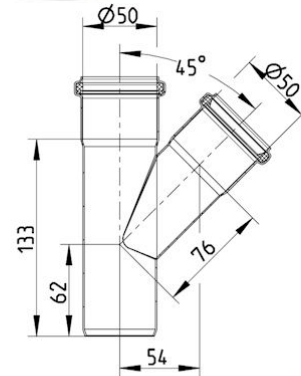
RINA -MAC285119XG EuroPipe

RS - 19.10097.262

Achilles Certificate - 25316-20

KR - Type Approval CPH42135-PE001

UR - 1055745



BLÜCHER®

A WATTS Brand